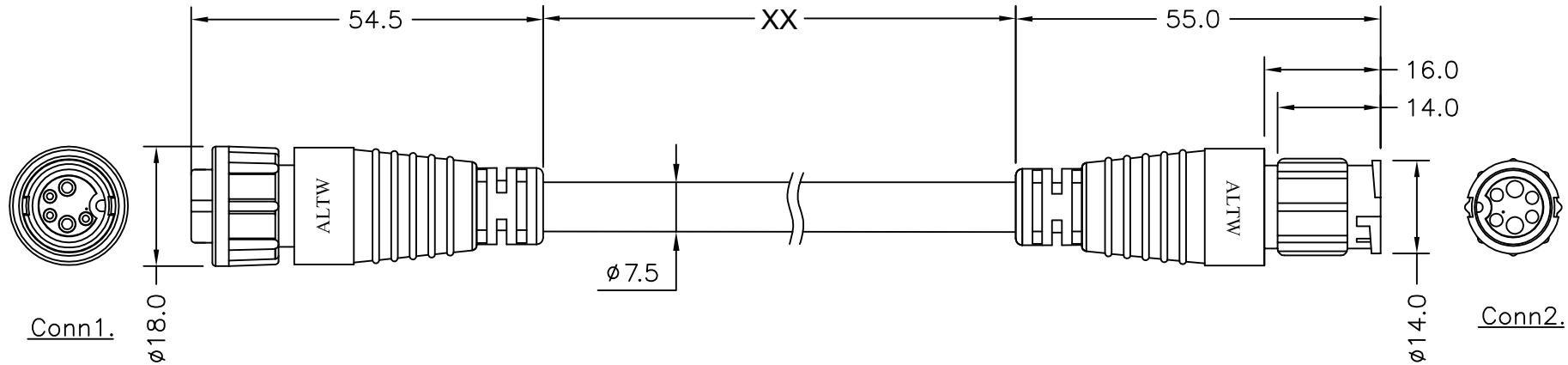


REVISION HISTORY

DATE	REV.	DESCRIPTION	BY
20.02.2018	A	First release	ltousgaard
30.06.2020	B	First release	ltousgaard



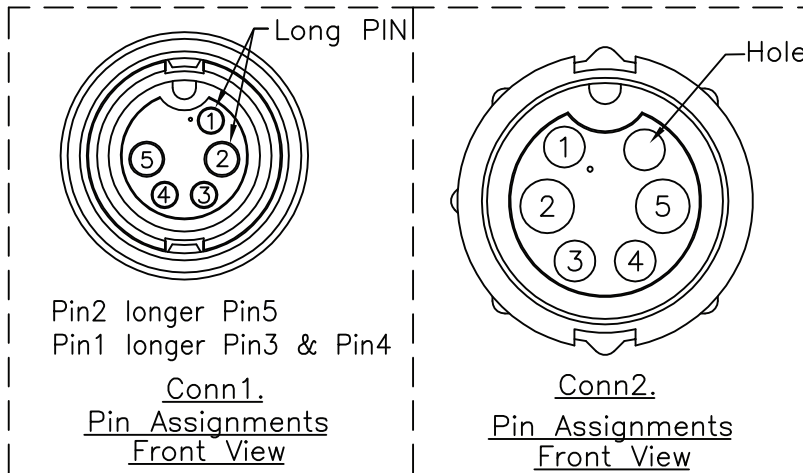
Drawing applies to:

- 91616055 Power+Data Cable Instal CMX BBD-BBD 1m
- 91616056 Power+Data Cable Instal CMX BBD-BBD 2,5m
- 91616057 Power+Data Cable Instal CMX BBD-BBD 5m
- 91616058 Power+Data Cable Instal CMX BBD-BBD 10m
- 91616059 Power+Data Cable Instal CMX BBD-BBD 25m
- 91616060 Power+Data Cable Instal CMX 100m (no conn.)

Note:

- Ingress Protection: IP67
- Working Voltage: 50VDC
- Working Current: 10A power / 5A data
- Temperature Range: -20C to +90C
- Sunlight Resistant
- UL E 308860
- Connector: Nylon+GF, UL94V-0, F1, black
- Male pin: Copper alloy, gold plated
- Female pin: Copper alloy, gold plated
- Lock nut: Nylon+GF, UL94V-0, F1, black
- O-ring: Silicon, UL94V-0, grey
- Cable: CMX (26AWG*1P+D+AL/My)+(14AWG*2C)+AL/My
- PVC jacket sunlight resistance, black
- Minimum Bending Radius: 10xOD

General Technical Specification apply to this item



5	White (14AWG)	Vcc	5
4	Red (26AWG)	Data +	4
3	Green (26AWG)	Data -	3
2	Black (14AWG)	GND	2
1	Drain (24AWG)	Shield	1
Conn1.	Wire Color	Function	Conn2.
Pin Out			

© 2018 HARMAN Professional Denmark ApS PROPRIETARY AND CONFIDENTIAL PROPERTY OF HARMAN. DO NOT DISCLOSE, REPRODUCE, OR PUBLISH WITHOUT WRITTEN HARMAN APPROVAL.	Material	FIRST ANGLE PROJECTION		HARMAN HARMAN Professional Denmark ApS Olof Palmes Allé 18 DK 8200 Aarhus N						
	General linear tolerance									
ROHS RESTRICTION OF HAZARDOUS SUBSTANCES ALL MATERIALS USED IN THIS PART MUST BE ROHS COMPLIANT. SUPPLIER SHALL PROVIDE A CERTIFICATE OF ROHS COMPLIANCE WITH THE FIRST ARTICLE.	General angular tolerance	Item to be	TITLE	BBD Install Cable						
	Color	Item to be	NO.	REV See table						
	DIMENSIONS SHOWN ARE FOR REFERENCE AND INSPECTION ONLY. REFER TO CAD MODEL PROVIDED WITH THIS DRAWING FOR OVERALL DEFINITION OF PART GEOMETRY.	Item to be	SIZE	A4	SCALE	-	DO NOT SCALE DRAWING	SHEET	1	OF